

Specialised Cleaning Products

Supplied by Chemiclean Products
Authorised Distributor
Telephone: +44 (0)121-523 8833 / 0121-523 8844
Skype: chemiclean-uk
Fax: +44 (0)121-554 1137
Email: sales@chemiclean.co.uk
Website: www.chemiclean.co.uk
Quality and Service with a Smile!!!

The Power to Clean up Every time

2009 Catalogue

Did you know Numatic International has a department dedicated to specialist cleaning applications?

From cleaning up spillages to maintaining floor surfaces, Numatic specialised caters for it all. Professional results from professional equipment that's made to last.



SSIVD1800AP-2 swarf / coolant



SNVD752 cyclonic cleaner



WV470 S/C swarf/coolant vac



NV750 workshop utility

All of our specialist equipment is custom manufactured in our own workshops to a standard you would come to expect from an international company.

For further information on how we can help with your cleaning requirements

Contact the Specialised department

Numatic International Limited, Chard, Somerset, TA20 2GB

Tel:+44 (0)1460 68600. Direct dial:+44 (0)1460 269401

Fax: +44 (0)1460 269214

Introduction

The Specialised Product department at Numatic International has now been in operation for a period of 19 years, during this time we have been able to offer a service to our many customers for “bespoke” products of many different shapes and sizes, that are able to work in a multitude of “specialist environments”. Our focus and dedication has led to a range of products that give outstanding results every time.

This year our catalogue has been changed, each product has been placed into individual categories to make individual selection far easier with detailed information for each product, there is even a list of optional upgrades offered, enabling you to customise each product to suit your individual requirements.

All of our specialised products are now colour coded and this is presented throughout the guide, dry pick up products are coded red. Hazardous products are coded yellow and all wet pick up products are coded blue.

We hope you enjoy our “new look” catalogue and look forward to hearing from you soon.

Specialised Engineering Workshop Vacuum Range

- 41) WV 470 Sc Workshop Utility Vacuum
- 42) WV 470 Sc Optional Upgrades



- 43) WV 570 Sc Workshop Utility Vacuum
- 44) WV 570 Sc Optional Upgrades



- 45) WVD 570 Sc Workshop Utility Vacuum
- 46) WVD 570 Sc Optional Upgrades



- 47) WVD 900 Sc Workshop Utility Vacuum
- 48) WVD 900 Sc Optional Upgrades



WV 470 Sc Engineering Workshop Vacuum



Description

The WV 470 Sc is the perfect companion for the engineering workshop and is ideally suited for cleaning smaller areas within the workshop. The compact size vacuum is easily stored under the work bench when not in use. A high performance "Twinflo" vacuum motor gives more than enough power to cope with most wet workshop applications. A float shut off valve is fitted to prevent overfilling, something further complimented by the metal float cage.

The drum incorporates a cyclonic side entry, something all too important when picking up coolants. A central hose flange and deflector plate are also supplied for use when picking up wet swarf particles. There is even a fitted dump hose for easy emptying.

An accessory kit is supplied with each vacuum which can be further upgraded using our range of optional extra upgrades. An ideal solution for a whole host of applications.

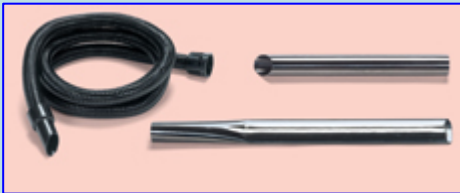
Specifications

Power; 1200 watts (max). Suction; 2600 mm. Airflow; 42 litres per second.

Cable length; 10 metres. Hose diameter 32-51mm. Capacity; 20 litres.

Weight; 10Kg (packed). Size; 710mm x 450mm x 358mm.

Decibel level; 73.3 DBA.
















Kit BB12

Kit Contents

- 1 x 3mtr Hiloflex Vacuum Hose
- 1 x 305mm S/S Gulper Tool
- 1 x 610mm S/S Crevice Tool

WV 470 Sc Optional Upgrades

(Please see current price list if wishing to purchase the below items)

			<p style="text-align: center;"><u>Additional 38mm Accessories</u></p> <p>602163 130mm Rubber Gulper Nozzle 602917 3 piece S/S Wand Set 602339 300mm Wet Pick up Nozzle</p>	
			<p style="text-align: center;"><u>Additional Accessory Kit 38mm (607337)</u></p> <p>1 x 2.4mtr Vacuum Hose 1 x 400mm Wet Pick up Nozzle 1 x S/S Bend 2 x S/S Extension Tubes</p>	
				<p style="text-align: center;"><u>Additional Dry Pick up Conversion Accessory Kit</u></p> <p>604165 "Tritex" Filter 604120 "Protectaglass" Filter 602917 3 piece S/S Wand Set 602439 300mm Dry Pick up Nozzle</p>
			<p style="text-align: center;"><u>Additional Accessories</u></p> <p>602157 65mm Dusting Brush with Hose Adaptor 602160 305mm ABS Crevice Tool 602162 152mm Rubber Brush with Stiff Bristles</p>	
		<p style="text-align: center;"><u>Additional Filtration (Dry Pick up Only)</u></p> <p>604170 Microfresh Odour Control Filter 604309 Secondary Microtex Filter</p>		

WV 570 Sc Engineering Workshop Vacuum



Description

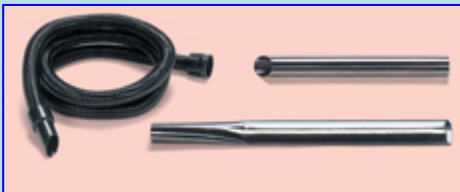
The "Sc" range of vacuums are recognised today as the most suitable vacuum for use in an engineering workshop, with over 15 years of satisfaction the WV 570 Sc sets the standard with professional users.

The vacuum is constructed using a material called "Structof foam" which embodies an unrivalled strength often found in heavier more unsuitable materials giving us a light weight product, something all too important in today's working environment. The ergonomically designed "Structof foam" power head is fitted with a By-pass motor as standard, delivering smooth and efficient output with increased airflow and suction using "Twinflo" motor technology.

The vacuum is fitted with secondary filtration as standard to help prevent the problems caused by oil mist, this works alongside the zinc plated metal float assembly providing the perfect solution for the engineering environment..

Specifications

Power; 1200 watts (max). Suction; 2600 mm. Airflow; 42 litres per second.
Cable length; 10 metres. Hose diameter 32-51mm. Capacity; 15 litres.
Weight; 15.5Kg (packed). Size; 645mm x 415mm x 415mm.
Decibel level; 78.6 DBA.










Kit BB12

Kit Contents

1 x 3mtr Hiloflex Vacuum Hose
1 x 305mm S/S Gulper Tool
1 x 610mm S/S Crevice Tool

WV 570 Sc Optional Upgrades

(Please see current price list if wishing to purchase the below items)

			<p style="text-align: center;"><u>Additional 38mm Accessories</u></p> <p>602163 130mm Rubber Gulper Nozzle 602917 3 piece S/S Wand Set 602339 300mm Wet Pick up Nozzle</p>	
			<p style="text-align: center;"><u>Additional Accessory Kit 38mm (607337)</u></p> <p>1 x 2.4mtr Vacuum Hose 1 x 400mm Wet Pick up Nozzle 1 x S/S Bend 2 x S/S Extension Tubes</p>	
				<p style="text-align: center;"><u>Additional Dry Pick up Conversion Accessory Kit</u></p> <p>604116 Replacement "Permatex" Filter 604017 NVM 3BH "HEPA-FLO" Filter Bags (10) 602917 3 piece S/S Wand Set 602439 300mm Dry Pick up Nozzle</p>
			<p style="text-align: center;"><u>Additional Accessories</u></p> <p>602157 65mm Dusting Brush with Hose Adaptor 602160 305mm ABS Crevice Tool 602162 152mm Rubber Brush with Stiff Bristles</p>	
			<p style="text-align: center;"><u>Additional Filtration (Dry Pick up Only)</u></p> <p>604116 Replacement "Permatex" Filter 604310 Secondary "Microtex" Filter 604017 NVM 3BH "HEPA-FLO" Filter Bags (10)</p>	

WVD 570 Sc Engineering Workshop Vacuum



Description

The WVD 570 Sc boasts double the power and performance of its smaller brother, the WV 570 Sc yet gives the same great features.

The vacuum is constructed using a material called “structofoam” which embodies an unrivalled strength often found in heavier more unsuitable materials giving us a light weight product, something all too important in today’s working environment. The ergonomically designed “Structofoam” power head is fitted with Twin By-pass motors as standard, delivering smooth and efficient output with increased airflow and suction using “Twinflo” motor technology.

The vacuum is fitted with secondary filtration to help prevent the problems caused by oil mist, this works alongside the zinc plated metal float assembly providing the perfect solution for the engineering environment.

The vacuum is fitted with a 51-32mm cyclonic entry giving increased versatility and is supplied with an accessory kit making it ready for action straight from the box.

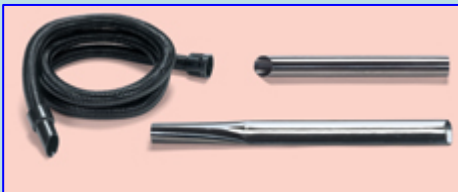
Specifications

Power; 2400 watts (max). Suction; 2600 mm. Airflow; 80 litres per second.

Cable length; 10 metres. Hose diameter 32-51mm. Capacity; 15 litres.

Weight; 18.5Kg (packed). Size; 645mm x 415mm x 415mm.

Decibel level; 78.8 DBA.



Kit BB12

Kit Contents

1 x 3mtr Hiloflex Vacuum Hose

1 x 305mm S/S Gulper Tool

1 x 610mm S/S Crevice Tool

WVD 570 Sc Optional Upgrades

(Please see current price list if wishing to purchase the below items)

			<p style="text-align: center;"><u>Additional 38mm Accessories</u></p> <p>602163 130mm Rubber Gulper Nozzle 602917 3 piece S/S Wand Set 602339 300mm Wet Pick up Nozzle</p>	
			<p style="text-align: center;"><u>Additional Accessory Kit 38mm (607337)</u></p> <p>1 x 2.4mtr Vacuum Hose 1 x 400mm Wet Pick up Nozzle 1 x S/S Bend 2 x S/S Extension Tubes</p>	
				<p style="text-align: center;"><u>Additional Dry Pick up Conversion Accessory Kit</u></p> <p>604116 Replacement "Permatex" Filter 604017 NVM 3BH "HEPA-FLO" Filter Bags (10) 602917 3 piece S/S Wand Set 602439 300mm Dry Pick up Nozzle</p>
			<p style="text-align: center;"><u>Additional Accessories</u></p> <p>602157 65mm Dusting Brush with Hose Adaptor 602160 305mm ABS Crevice Tool 602162 152mm Rubber Brush with Stiff Bristles</p>	
			<p style="text-align: center;"><u>Additional Filtration (Dry Pick up Only)</u></p> <p>604116 Replacement "Permatex" Filter 604310 Secondary "Microtex" Filter 604017 NVM 3BH "HEPA-FLO" Filter Bags (10)</p>	

WVD 900 Sc Engineering Workshop Vacuum



Description

Strength and versatility are just two of the features that make the WVD 900 Sc the ideal workshop companion. The vacuum is constructed using a material called “Structofoam” which embodies an unrivalled strength often found in heavier more unsuitable materials giving us a light weight product, something all too important in today’s working environment.

The ergonomically designed “Structofoam” power head is fitted with twin By-pass motors as standard, delivering smooth and efficient output with increased airflow and suction using “Twinflo” motor technology.

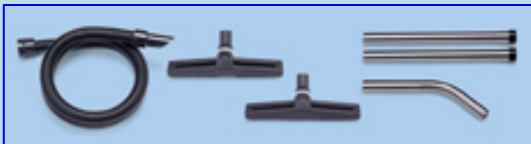
A cyclonic entry is fitted to the drum assembly which can accept hose sizes ranging from 32mm to 51mm. A blower attachment is fitted to the head assembly which can be used to duct air away from the work area. Power, performance and versatility, the ideal workshop companion!

Specifications

Power; 2400 watts (max). Suction; 2600 mm. Airflow; 80 litres per second.
Cable length; 10 metres. Hose diameter 32-51mm. Capacity; 30 litres.
Weight; 22Kg (packed). Size; 880mm x 800mm x 490mm.
Decibel level; 78.8 DBA.

Kit Contents














1 x 2.4mtr Vacuum Hose, 1 x S/S Tube Bend
2 x S/S Extension Tubes, 1 x 400mm Dry Pick up Nozzle
1 x 400mm Wet Pick up Nozzle



Kit BB8

WVD 900 Sc Optional Upgrades

(Please see current price list if wishing to purchase the below items)

			<p style="text-align: center;"><u>Additional 38mm Accessories</u></p> <p>602163 130mm Rubber Gulper Nozzle 602917 3 piece S/S Wand Set 602339 300mm Wet Pick up Nozzle</p>
			<p style="text-align: center;"><u>Additional Accessory Kit 51mm (607382)</u></p> <p>1 x 4mtr Hiloflex Vacuum Hose 1 x S/S Floor Gulper 1 x 450mm Scavenger Nozzle 1 x 152mm Rubber Brush</p>
			<p style="text-align: center;"><u>Additional Dry Pick up Conversion Accessory Kit</u></p> <p>604116 Replacement "Permatex" Filter 604019 NVM 4BH "HEPA-FLO" Filter Bags (10) 602439 300mm Dry Pick up Nozzle</p>
			<p style="text-align: center;"><u>Additional Accessories</u></p> <p>602157 65mm Dusting Brush with Hose Adaptor 602160 305mm ABS Crevice Tool 602162 152mm Rubber Brush with Stiff Bristles</p>
			<p style="text-align: center;"><u>Additional Filtration (Dry Pick up Only)</u></p> <p>604116 Replacement "Permatex" Filter 604310 Secondary "Microtex" Filter 604019 NVM 4BH "HEPA-FLO" Filter Bags (10)</p>

Specialised Engineering Separator Vacuum Range

- 49) SSIVD 1800 DH (Dump Hose)
- 50) SSIVD 1800 DH Optional Upgrades



- 51) SSIVD 1800 PH (Pump Hose)
- 52) SSIVD 1800 PH Optional Upgrades



- 53) SSIVD 1800 AP (Auto Pump)
- 54) SSIVD 1800 AP Optional Upgrades



SSIVD 1800 DH Engineering Separator Vacuum



Description

The “Separator” range of swarf vacuums are unrivalled when it comes reliability and performance. Each vacuum is constructed using a high tech material known as “Structof foam” giving unrivalled strength and durability. The ergonomically designed “Structof foam” power head is fitted with twin By-pass motors as standard, delivering smooth and efficient output with increased airflow and suction using “Twinflo” motor technology.

When it comes to particle separation, each vacuum uses a stainless steel mesh basket with a 30 litre holding capacity. Particle sizes greater than 1mm are trapped in the mesh basket while coolants are allowed to freely pass through. The collected coolant can then be discharged using the dump hose fitted to the vacuum.

The vacuum is able to accept hose sizes from 76mm down to 32mm, making it suitable for a multitude of engineering tasks in and around the workshop. The power to make a difference every time!

Specifications

Power; 2400 watts (max). Suction; 2600 mm. Airflow; 80 litres per second.
Cable length; 10 metres. Hose diameter 32-76mm. Capacity; 70/30 litres.
Weight; 36.2Kg (packed). Size; 1160mm x 935mm x 785mm.
Decibel level; 78.8 DBA.
















Kit BB7

Kit Contents

- 1 x 2.4mtr Vacuum Hose,
- 1 x S/S Tube Bend
- 2 x S/S Extension Tubes
- 1 x 400mm Wet Pick up Nozzle

SSIVD 1800 DH Optional Upgrades

(Please see current price list if wishing to purchase the below items)

    <p>602163 602157 602160 602162</p>	<p style="text-align: center;"><u>Additional 38mm Accessories</u></p> <p>602163 130mm Rubber Gulper Nozzle 602157 65mm Dusting Brush with Hose Adaptor 602160 305mm ABS Crevice Tool 602162 152mm Rubber Brush with Stiff Bristles</p>
   <p>602924</p>  <p>602926 602158 602033</p>	<p style="text-align: center;"><u>Additional 38mm Accessories</u></p> <p>602924 610mm S/S Gulper Tool 602926 610mm S/S Crevice Tool 602158 150mm Nozzle with Adaptor 602033 450mm Scavenger Floor Nozzle</p>
 <p>607382</p>	<p style="text-align: center;"><u>Additional Accessory Kit 51mm (607382)</u></p> <p>1 x 4mtr Hiloflex Vacuum Hose 1 x S/S Floor Gulper 1 x 450mm Scavenger Nozzle 1 x 152mm Rubber Brush</p>
 <p>607701</p>	<p style="text-align: center;"><u>Additional Accessory Kit 76mm (607701)</u></p> <p>1 x 3mtr Hiloflex 76mm Vacuum Hose 1 x Black Floor Gulper Nozzle</p>
   <p>604113 608015 000019</p>	<p style="text-align: center;"><u>Additional Accessories</u></p> <p>604113 Replacement secondary "Permatex" Filter 608015 76mm – 51mm Step Down Adaptor 000019 Filter insert (200 microns)</p>

SSIVD 1800 PH Engineering Separator Vacuum



Description

The SSIVD 1800 PH gives the same outstanding performance as the DH model but also incorporates a high output pump system to enable the user to pump mineral based coolants or other liquids for waste or recycling. Each vacuum is constructed using a high tech material known as “Structof foam” giving unrivalled strength and durability. The ergonomically designed “Structof foam” power head is fitted with twin By-pass motors as standard, delivering smooth and efficient output with increased airflow and suction using “Twinflo” motor technology.

When it comes to particle separation, each vacuum uses a stainless steel mesh basket with a 30 litre holding capacity. Particle sizes greater than 1mm are trapped in the mesh basket while coolants are allowed to freely pass through. The collected coolant can then be discharged using the pump hose fitted to the vacuum. An ideal cleaning solution that comes complete with its own accessory kit.

Specifications

Power; 2400 watts (max). Suction; 2600 mm. Airflow; 80 litres per second. Cable length; 10 metres. Hose diameter 32-76mm. Capacity; 70/30 litres. Pump output; 60 L/per min (max) Weight; 37Kg (packed). Size; 1160mm x 935mm x 785mm. Decibel level; 78.8 DBA.
















Kit BB7

Kit Contents

- 1 x 2.4mtr Vacuum Hose
- 1 x S/S Tube Bend
- 2 x S/S Extension Tubes,
- 1 x 400mm Wet Pick up Nozzle

SSIVD 1800 PH Optional Upgrades

(Please see current price list if wishing to purchase the below items)

    <p>602163 602157 602160 602162</p>	<p style="text-align: center;"><u>Additional 38mm Accessories</u></p> <p>602163 130mm Rubber Gulper Nozzle 602157 65mm Dusting Brush with Hose Adaptor 602160 305mm ABS Crevice Tool 602162 152mm Rubber Brush with Stiff Bristles</p>
   <p>602924</p>  <p>602926 602158 602033</p>	<p style="text-align: center;"><u>Additional 38mm Accessories</u></p> <p>602924 610mm S/S Gulper Tool 602926 610mm S/S Crevice Tool 602158 150mm Nozzle with Adaptor 602033 450mm Scavenger Floor Nozzle</p>
 <p>607382</p>	<p style="text-align: center;"><u>Additional Accessory Kit 51mm (607382)</u></p> <p>1 x 4mtr Hiloflex Vacuum Hose 1 x S/S Floor Gulper 1 x 450mm Scavenger Nozzle 1 x 152mm Rubber Brush</p>
 <p>607701</p>	<p style="text-align: center;"><u>Additional Accessory Kit 76mm (607701)</u></p> <p>1 x 3mtr Hiloflex 76mm Vacuum Hose 1 x Black Floor Gulper Nozzle</p>
   <p>604113 608015 000019</p>	<p style="text-align: center;"><u>Additional Accessories</u></p> <p>604113 Replacement secondary "Permatex" Filter 608015 76mm – 51mm Step Down Adaptor 000019 Filter insert (200 microns)</p>

SSIVD 1800 AP Engineering Separator Vacuum



Description

The SSIVD 1800 AP is the ultimate in engineering vacuums suitable for a multitude of cleaning tasks which require particle separation. Each vacuum is constructed using a high tech material known as “Structof foam” giving unrivalled strength and durability. The ergonomically designed “Structof foam” power head is fitted with twin By-pass motors as standard, delivering smooth and efficient output with increased airflow and suction using “Twinflo” motor technology.

When it comes to particle separation, each vacuum uses a stainless steel mesh basket with a 30 litre holding capacity. Particle sizes greater than 1mm are trapped in the mesh basket while coolants are allowed to freely pass through. The collected coolant can then be discharged using the automatic pump system fitted to the vacuum. Coolant/liquids are discharged via a 10 metre dump hose. Fully automatic operation combined with high level output, are just two of the reasons that make this the ultimate workshop companion.

Specifications

Power; 2400 watts (max). Suction; 2600 mm. Airflow; 80 litres per second. Cable length; 10 metres. Hose diameter 32-76mm. Capacity; 70/30 litres. Pump output; 160 L/per min (max) Weight; 39.5Kg (packed). Size; 1160mm x 935mm x 785mm. Decibel level; 78.8 DBA.















Kit BB7

Kit Contents

- 1 x 2.4mtr Vacuum Hose
- 1 x S/S Tube Bend
- 2 x S/S Extension Tubes,
- 1 x 400mm Wet Pick up Nozzle

SSIVD 1800 AP Optional Upgrades

(Please see current price list if wishing to purchase the below items)

 <p>602163</p>  <p>602157</p>  <p>602160</p>  <p>602162</p>	<p><u>Additional 38mm Accessories</u></p> <p>602163 130mm Rubber Gulper Nozzle 602157 65mm Dusting Brush with Hose Adaptor 602160 305mm ABS Crevice Tool 602162 152mm Rubber Brush with Stiff Bristles</p>
 <p>602924</p>  <p>602158</p>  <p>602033</p>  <p>602926</p>	<p><u>Additional 38mm Accessories</u></p> <p>602924 610mm S/S Gulper Tool 602926 610mm S/S Crevice Tool 602158 150mm Nozzle with Adaptor 602033 450mm Scavenger Floor Nozzle</p>
 <p>607382</p>	<p><u>Additional Accessory Kit 51mm (607382)</u></p> <p>1 x 4mtr Hiloflex Vacuum Hose 1 x S/S Floor Gulper 1 x 450mm Scavenger Nozzle 1 x 152mm Rubber Brush</p>
 <p>607701</p>	<p><u>Additional Accessory Kit 76mm (607701)</u></p> <p>1 x 3mtr Hiloflex 76mm Vacuum Hose 1 x Black Floor Gulper Nozzle</p>
 <p>604113</p>  <p>608015</p>  <p>604245</p>  <p>000019</p>	<p><u>Additional Accessories</u></p> <p>604113 Replacement secondary "Permatex" Filter 608015 76mm – 51mm Step Down Adaptor 604245 10 Metre Discharge Hose 000019 Filter insert (200 microns)</p>